



HTK12AA KAPPA LBP Compressor Top Efficiency R600a 220-240V 50Hz

General

Code number	CDO00038
Approvals	EN 60335-2-34 w. Annex AA
Compressors on pallet	100

Application

Application	LBP		
Frequency	Hz	50	60
Evaporating temperature	°C	-35 to -5	-
Voltage range	V	187 to 264	-
Max. condensing temperature continuous (short)	°C	60 (70)	-
Max. winding temperature continuous (short)	°C	130 (130)	-

Cooling requirements

Frequency	Hz	50			60		
Application		LBP	MBP	HBP	LBP	MBP	HBP
32°C		S	-	-	-	-	-
38°C		S	-	-	-	-	-
43°C		S	-	-	-	-	-
Remarks on application:							

Motor

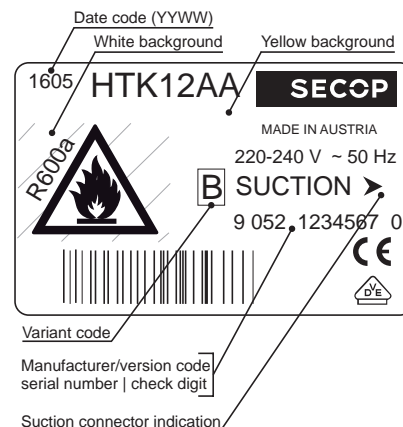
Motor type	RSCR/RSIR		
LRA (rated after 4 sec. UL984), HST LST	A	-	5.5
Cut in Current, HST LST	A	-	13.5
Resistance, main start winding (25°C)	Ω	14.7	13.7

Design

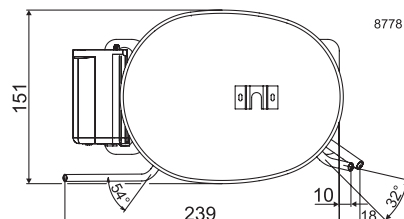
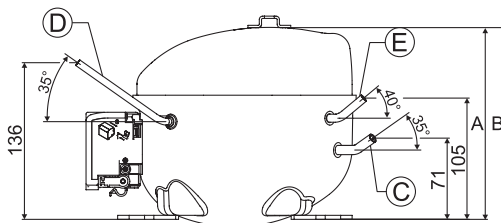
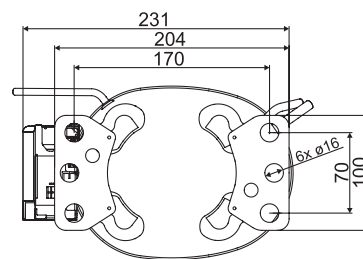
Displacement	cm ³	11.2
Oil quantity (type)	cm ³	165 (mineral)
Maximum refrigerant charge	g	150
Free gas volume in compressor	cm ³	1660
Weight without electrical equipment	kg	8.5

Dimensions

Height	mm	A	167.0
		B	173.5
Suction connector	location/I.D. mm angle	C	6.15 35°
	material comment		Copper Rubber plug
Process connector	location/O.D. mm angle	D	6.00 35°
	material comment		Copper Rubber plug
Discharge connector	location/I.D. mm angle	E	5.15 40°
	material comment		Copper Rubber plug
Oil cooler connector	location/I.D. mm angle	F	-
	material comment		-
Connector tolerance	I.D. mm		±0.05
Remarks:			



- S = Static cooling normally sufficient
- O = Oil cooling
- F₁ = Fan cooling 1.5 m/s (compressor compartment temperature equal to ambient temperature)
- F₂ = Fan cooling 3.0 m/s necessary
- SG = Suction gas cooling normally sufficient
- = not applicable in this area



EN 12900 Household

220V, 50Hz, PTC consumption incl., static cooling

Evap. temp. in °C	-45	-40	-35	-30	-25	-23.3	-20	-15	-10	-6.7	-5	0	5	7.2	10	15	20
Capacity in W			81.6	113	149	163	191	238	291	329	349						
Power cons. in W			84.9	100	116	121	132	149	165	176	182						
Current cons. in A			0.69	0.76	0.85	0.87	0.93	1.01	1.10	1.15	1.18						
COP in W/W			0.96	1.12	1.28	1.34	1.45	1.60	1.76	1.86	1.92						

ASHRAE LBP

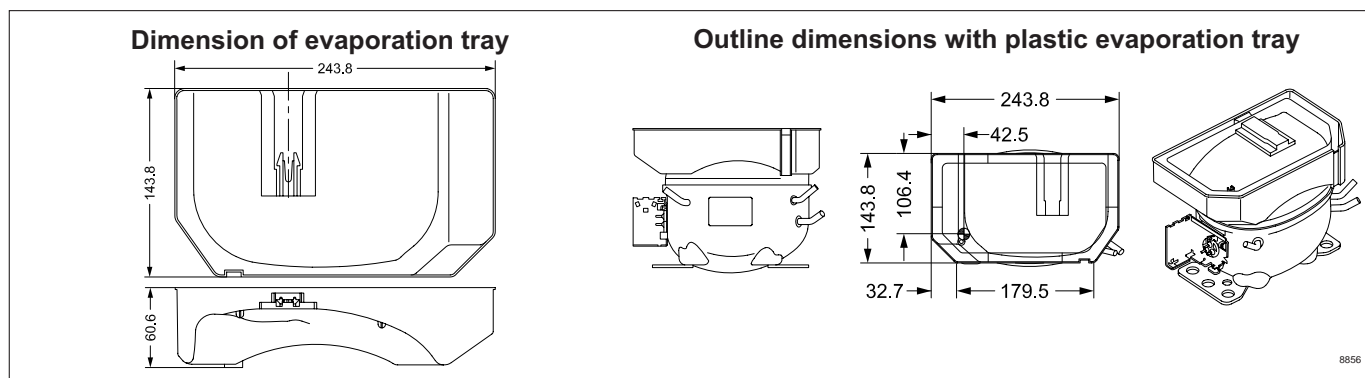
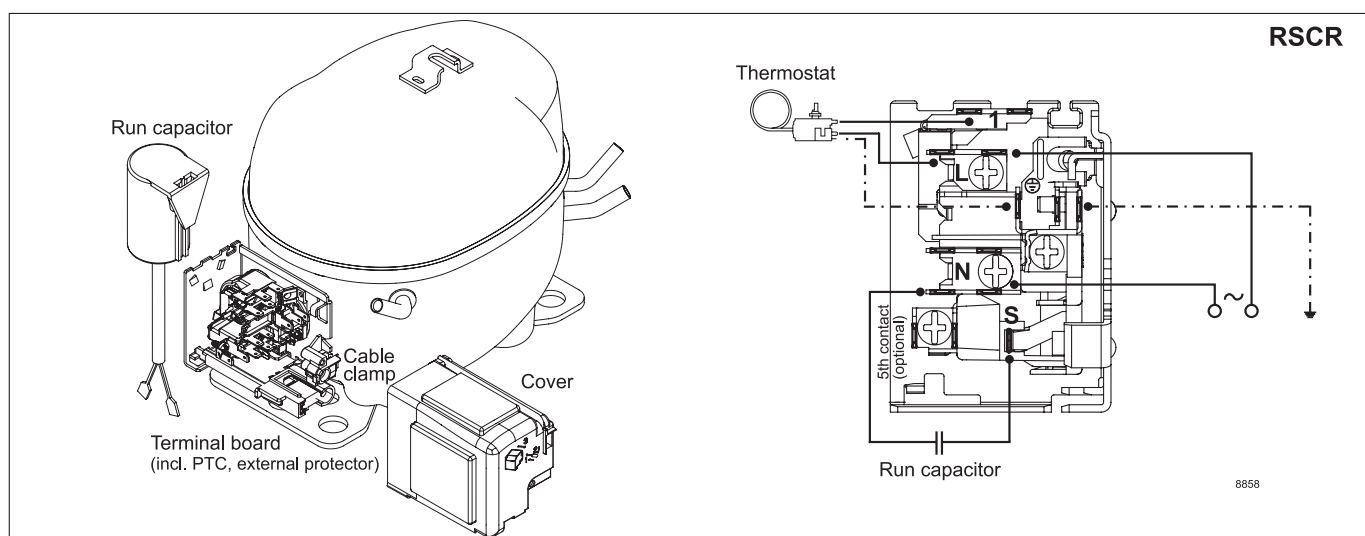
220V, 50Hz, PTC consumption incl., static cooling

Evap. temp. in °C	-45	-40	-35	-30	-25	-23.3	-20	-15	-10	-6.7	-5	0	5	7.2	10	15	20
Capacity in W			99.4	137	181	198	233	290	355	401	425						
Power cons. in W			84.8	100	116	121	132	148	164	175	181						
Current cons. in A			0.69	0.76	0.84	0.87	0.93	1.01	1.09	1.15	1.18						
COP in W/W			1.17	1.37	1.57	1.64	1.77	1.96	2.16	2.28	2.35						

ASHRAE LBP

220V, 50Hz, RC 4µF, PTC consumption incl., static cooling

Evap. temp. in °C	-45	-40	-35	-30	-25	-23.3	-20	-15	-10	-6.7	-5	0	5	7.2	10	15	20
Capacity in W			99.4	137	181	198	233	290	355	401	425						
Power cons. in W			80.7	95.7	111	116	127	142	158	169	174						
Current cons. in A			0.51	0.57	0.63	0.65	0.69	0.75	0.81	0.86	0.88						
COP in W/W			1.23	1.43	1.63	1.70	1.84	2.04	2.24	2.37	2.44						



Accessories for	HTK12AA	Code number	Test conditions	EN 12900 Household	ASHRAE LBP
Run capacitor (optional)	4.8 mm or 6.3 mm spade connectors	4 µF	Condensing temperature	55°C	54.4°C
Terminal board (incl. PTC and external protector)	4.8 mm or 6.3 mm spade connectors	ZAF9 / DAF9	Ambient temperature	32°C	32.2°C
Motor Protector	AE 11 BJ x	F9	Suction gas temperature	32°C	32.2°C
Cable clamp (screws not included)		113410_	Liquid temperature	no subcooling	32.2°C
Cover		157595_			
Evaporation tray (optional)		113188_			
All-in-one equipment, e.g. 4ZN		Code number	Mounting accessories	Code number	
Cover / cable clamp + screws / earthing screw		16168000	on request, various options available		

Nidec GA Compressors accepts no responsibility for possible errors in catalogs, brochures, and other printed material. Nidec GA Compressors reserves the right to alter its products without notice. This also applies to products already on order provided that such alterations can be made without subsequential changes being necessary to specifications already agreed. All trademarks in this material are the property of the respective companies. Secop and the Secop logotype are trademarks of Nidec Global Appliance Germany GmbH. All rights reserved. www.secop.com